



香港兒童健康基金 HONG KONG CHILDHEALTH FOUNDATION

香港中環干諾道中三十三號亞州大廈十四字樓 電話：25672727 傳真：28863166
網站：<http://www.childhealthhongkong.com> 電郵：hkchf@netvigator.com

通報 幼兒運動能力獎勵計劃 HC 2000-01

敬啟者

幼兒運動能力獎勵計劃



香港兒童健康基金是一個非牟利信托基金創辦於1987年，以促進兒童健康為宗旨。本會分別於1990年及1992年將學校體適能獎勵計劃推廣予小學及中學。其後，本會將同樣之體適能獎勵計劃推廣予女童軍及男童軍。

於1996年，本會開始發展一個類似學校體適能獎勵計劃的幼兒運動能力獎勵計劃，讓3至6歲的學前兒童參予。貴校可能亦曾出席本會於香港禮頓道保良局王培芳堂舉辦之有關會議。而現時已約有三十間幼稚園參加此運動能力獎勵計劃。

本會很高興宣佈香港優質教育基金將資助有關之幼兒運動能力獎勵計劃，為期兩年。故本會能夠免費為全港1200間幼兒院及幼稚園各提供一套測試器材。器材包括一個盒內有測試工具，說明書及証書等。請參閱另表內詳細說明。

本會將會分發予全港1200間幼兒院及幼稚園各一套器材以作為聖誕及新年禮物。如貴校不欲收到上述之器材，請傳真至2886 3166通知本會。如本會未有收到貴校之回覆，本會將會安排於聖誕日至2001年一月內將有關器材送到貴校。如果貴校地址和信上的有所不同，請用傳真方式通知本會。避免送錯地址。

於貴校收到器材後，本會很歡迎貴校申請參予幼兒運動能力獎勵計劃。即使貴校無意參予上述之獎勵計劃，有關之器材作為本會送予貴校之禮物無論如何，本會仍熱切期待貴校參予此獎勵計劃促進幼兒之運動能力和健康。

此致

幼兒院院長 / 幼稚園院長

香港兒童健康基金主席

謹啟

副本呈交教育署及社會福利署

二零零零年十二月十四日





香 港 兒 童 健 康 基 金
HONG KONG CHILDHEALTH FOUNDATION

14/F., A/E Building, 33 Connaught Road, Central, Hong Kong Tel: 25672727 Fax: 28863166
Website: <http://www.childhealthhongkong.com> Email: hkchf@netvigator.com

Circular MPAS/ HC 2000-01

Date: 14th December 2000

Dear Principals of all nurseries and kindergartens



Re: Preschool Motor Performance Award Scheme

The Hong Kong Childhealth Foundation is a non-profit making Trust formed in 1987 to promote child health in Hong Kong. We have introduced a School Physical Fitness Award Scheme to promote physical fitness in primary schools and secondary schools in 1990 and 1992 respectively. The same scheme was later introduced to Girl Guides and Boy Scouts.

In 1996, a similar scheme was devised and launched for Preschool children between the ages of 3 to 6 years. You may have attended our launching ceremony held at Sally Wong Leung Hall, Po Leung Kuk at Leighton Road, Hong Kong. At present around 30 kindergartens are participating in the scheme.

We are happy to announce that Quality Education Fund will finance the promotion of this Preschool Motor Performance Award Scheme for 2 years. This means that one test kit consisting of a box with all the test equipment, instruction book, certificate etc will be distributed free to all 1200 or so preschools (nurseries and kindergartens) in Hong Kong. Please see provisional list of equipment enclosed.

We will be distributing one such box to all the 1200 preschools in Hong Kong as a Christmas cum New Year Present. If your preschool does not wish to receive the present, please let us know by return fax to 2886 3166. If we do not hear from your preschool, the present will be delivered between X'mas and January 2001. If your address on our cover note is wrong, please inform us by fax so that the test kit can be delivered to the correct address.

After you have received the test kit, we welcome you to apply to join the above scheme. The test kit is a present to your preschool even if you do not join the scheme. We will however continue to look forward to your preschool's future participation in our Preschool Motor Performance Award Scheme to promote physical fitness and health in children.

Yours faithfully
in Service to children,

Dr. Henrietta Man Hing IP
Chairman
HMHI/ykc

cc Education Department and Social Welfare Department

Our Ref: D:\HKCHF Document\Motor Performance Award Scheme\Circular\PMPAS for kindergartens and nurseries eng.doc



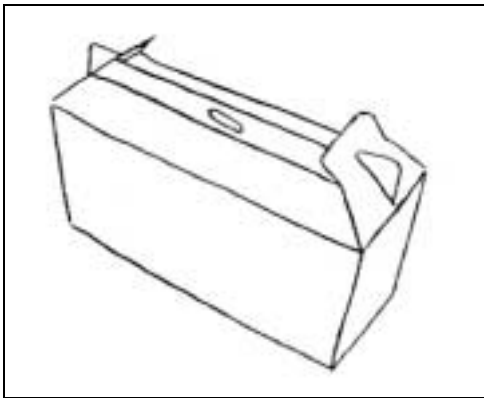
幼兒運動能力獎勵計劃 PRESCHOOL MOTOR PERFORMANCE AWARD SCHEME

送給所有幼兒園及幼稚園之測試器材

Test equipment to be sent to all preschools in Hong Kong (nurseries and kindergarten)

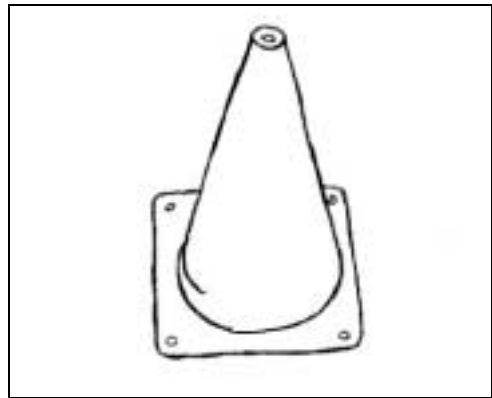
一個白紙盒

1 white cardboard box to put everything in



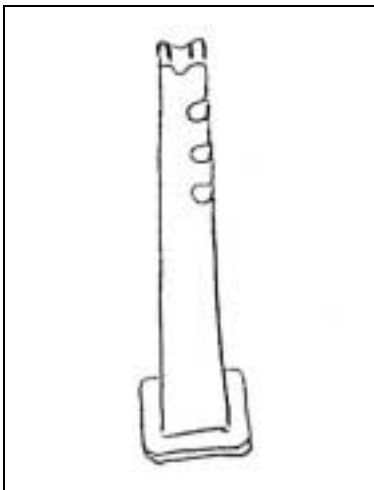
兩個雪糕筒

2 plastic cones 9 inches high

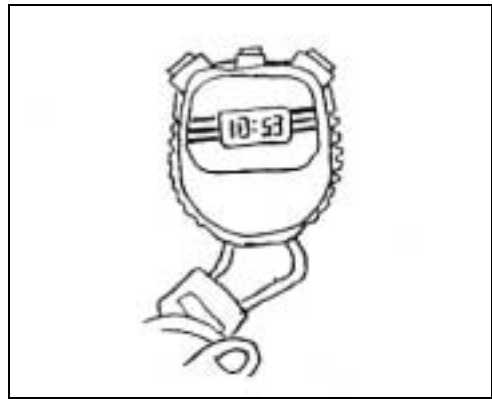


兩支兩呎高木塔

2 wooden stand 24 inches high



一個時間計 1 timer

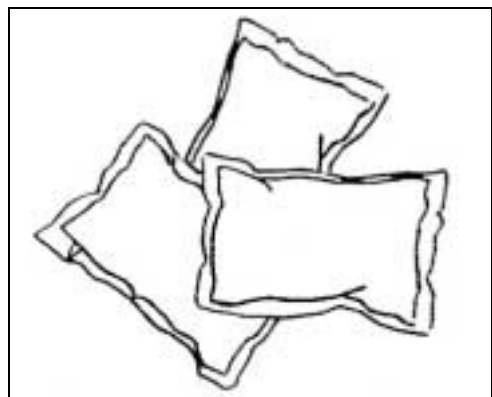


一支長籐枝 (約三至四呎長)

1 bamboo rod 36 inches long

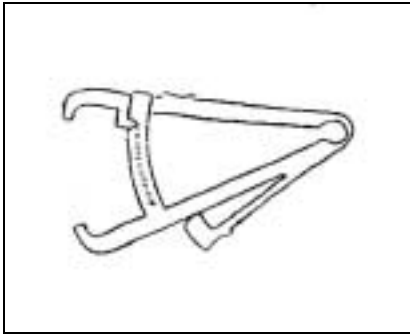


三個豆袋 3 bean bags



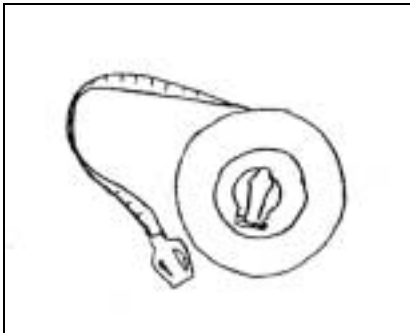
一個皮摺量度器

1 small skinfold caliper



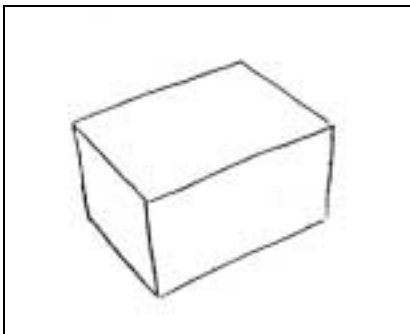
一個量度呎

1 tape measure(in feet/inches and meter)



一個高 8 吋 X 闊 6 吋的盒

1 cardboard box with 6 sides measuring
6 inches by 8 inches by 10 inches



四卷 3/4 吋闊(十碼長)的顏色膠布
(在地上貼成一直線)

4 rolls of colourful sticky tapes (10 yards)
to stick lines on the floor for testing purpose

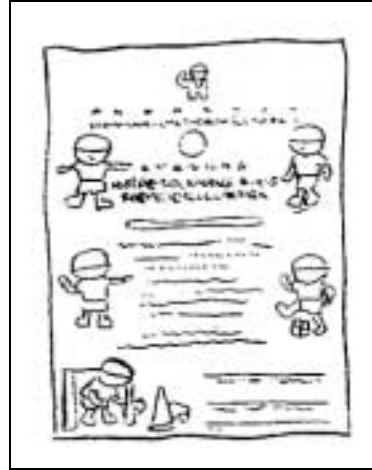


四張彩色證書樣本

(貼上金,銀,銅,參與獎章貼紙樣本)

4 sample certificates in colour

(with sample gold, silver, bronze and
participation sticky labels)



三張男女個人記錄表

3 sample record sheets for boys and for girls



一本教師手冊 1 instructor's manual

